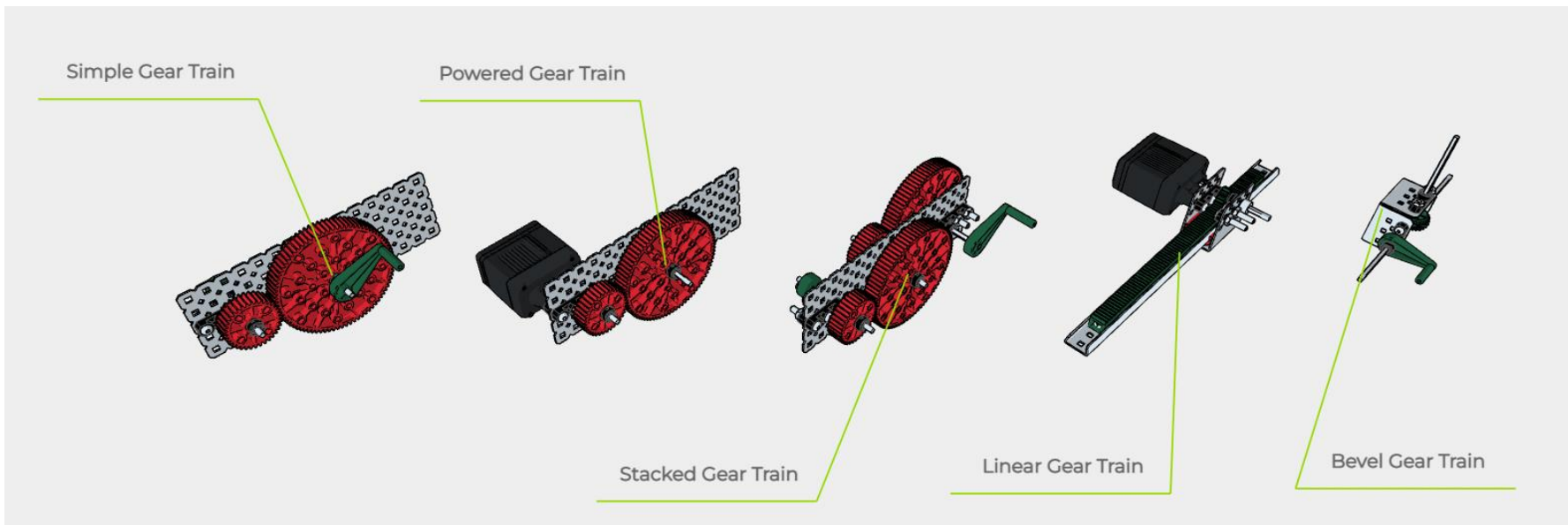
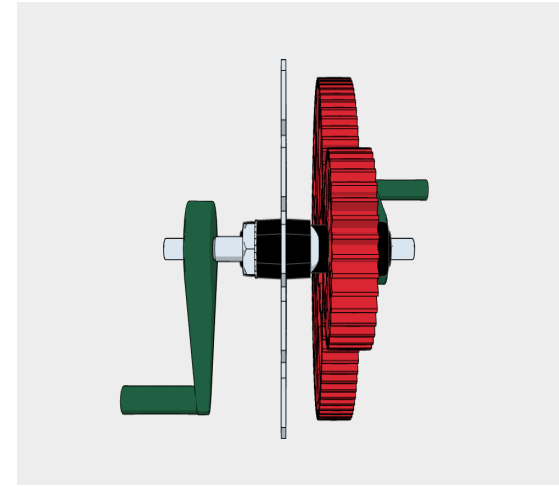
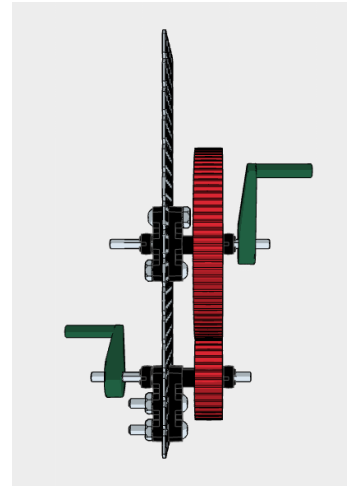
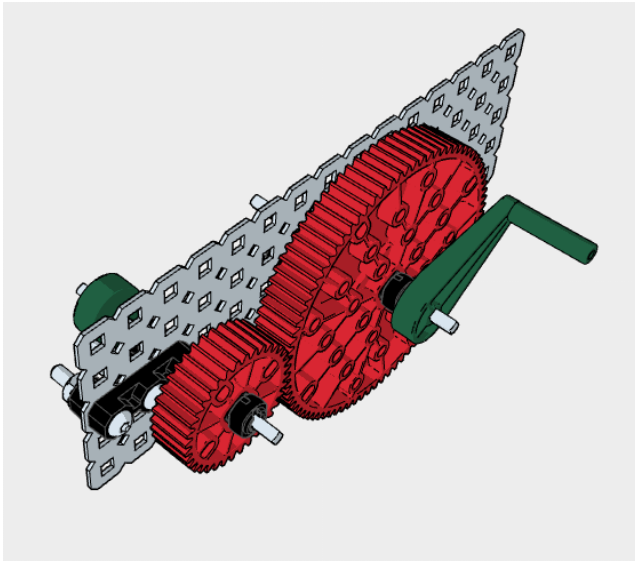


# VEX Build Support Guide

## Gearing

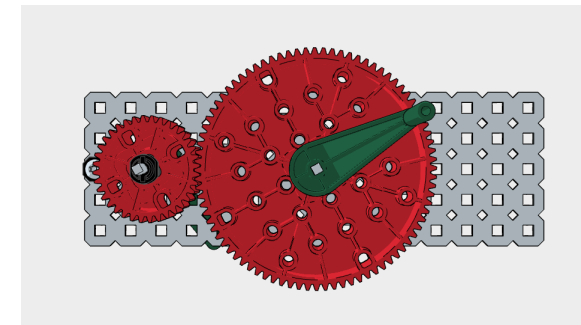


## Simple Gear Train

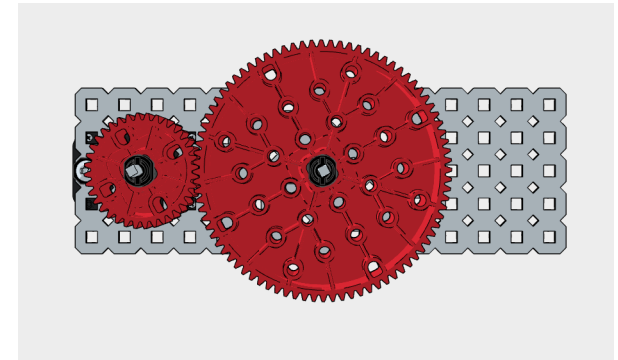
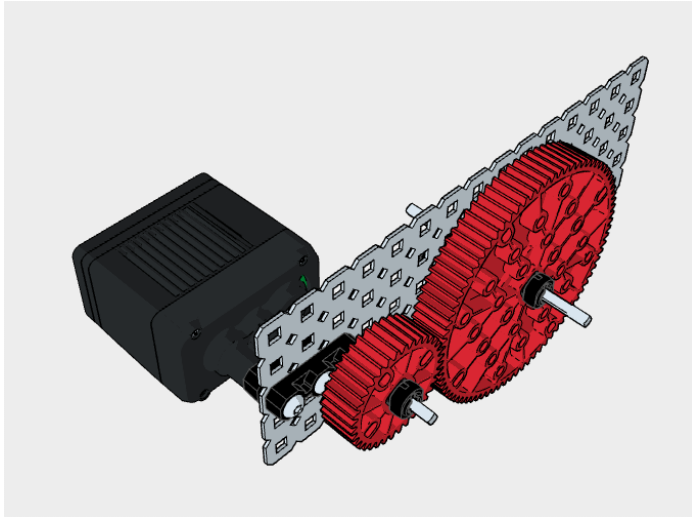


- (1x) 5x15 Steel Plate
- (4x) Flat Bearing
- (2x) #8-32 x 1.000" Star Drive Screw
- (1x) 36T High Strength Gear
- (1x) 84T High Strength Gear
- (4x) Rubber Shaft Collar

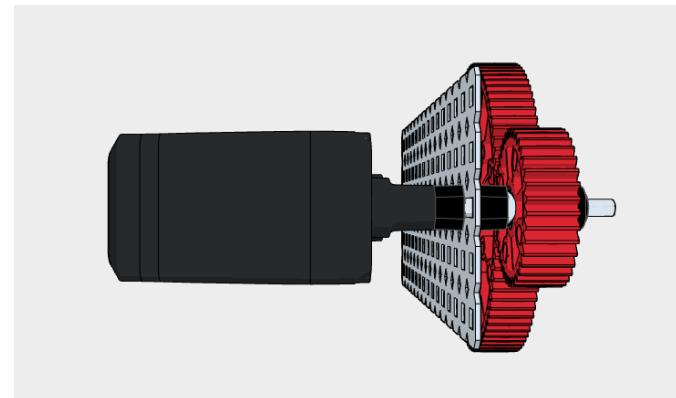
- (2x) Hand Crank
- (4x) #8-32 Keps Nut
- (2x) #8 Click on Spacer 0.250"
- (2x) #8-32 x 1/2" Star Drive Screw
- (2x) 3" Drive Shaft
- (2x) High Strength Shaft Adapter



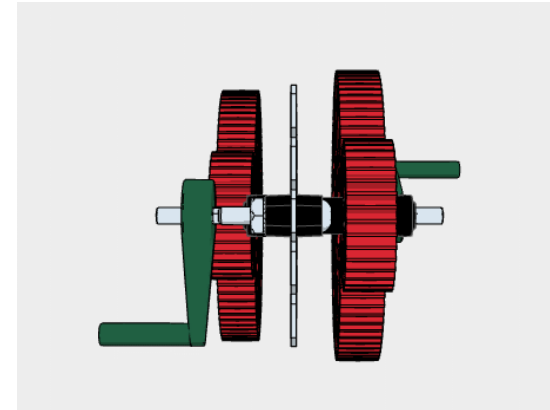
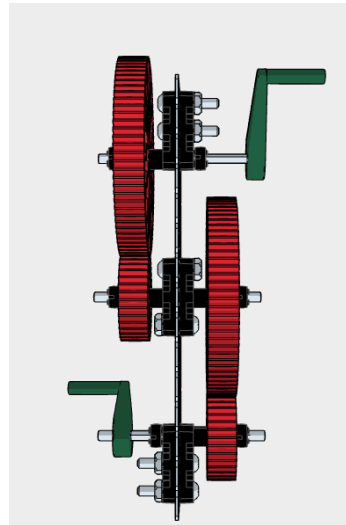
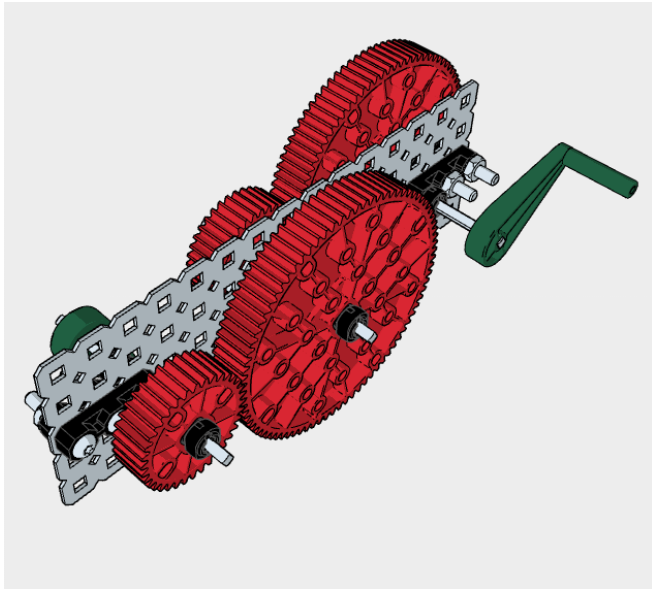
Powered Gear Train



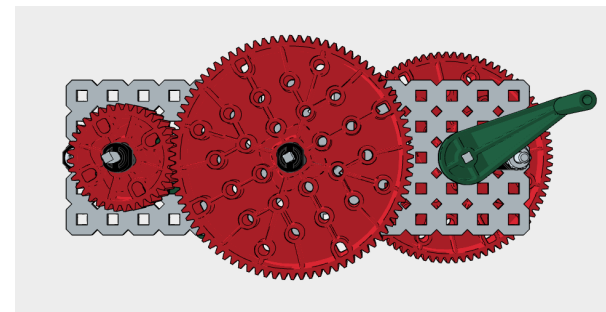
- (1x) 5x15 Steel Plate
- (4x) Flat Bearing
- (2x) #8-32 x 1.000" Star Drive Screw
- (1x) 36T High Strength Gear
- (1x) 84T High Strength Gear
- (4x) Rubber Shaft Collar
- (1x) Hand Crank
- (2x) #8-32 Keys Nut
- (2x) #8 Click on Spacer 0.250"
- (2x) #8-32 x 1/2" Star Drive Screw
- (2x) 3" Drive Shaft
- (2x) High Strength Shaft Adapter
- (1x) V5 Smart Motor (11W)



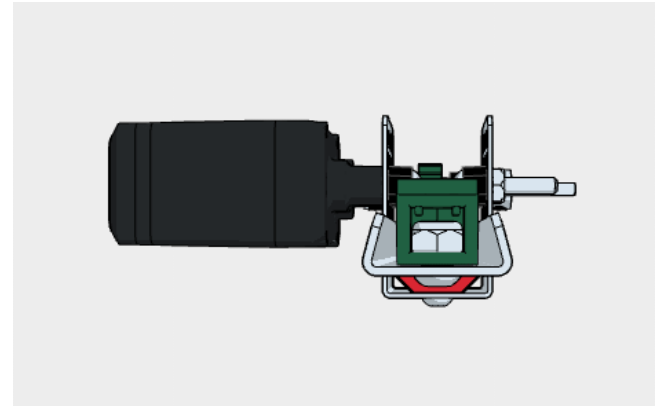
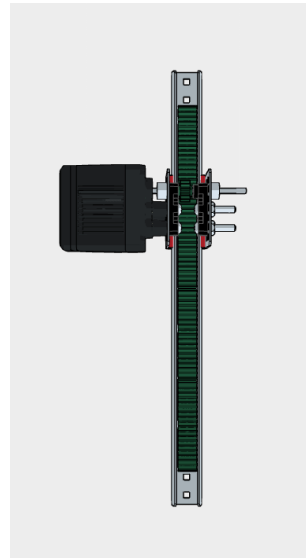
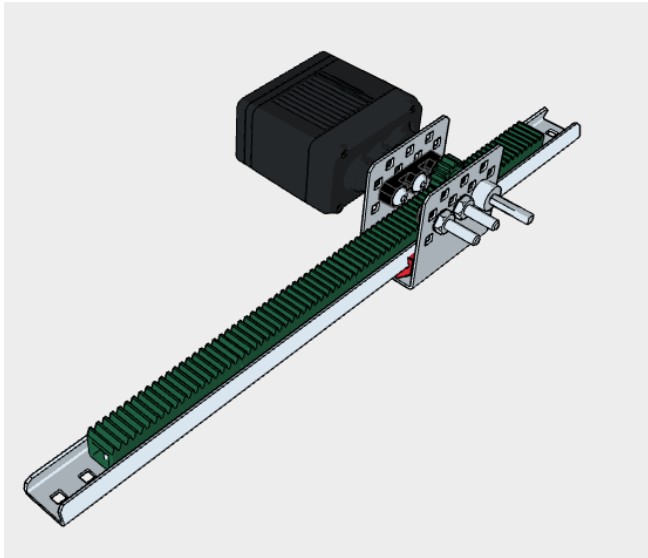
Stacked Gear Train



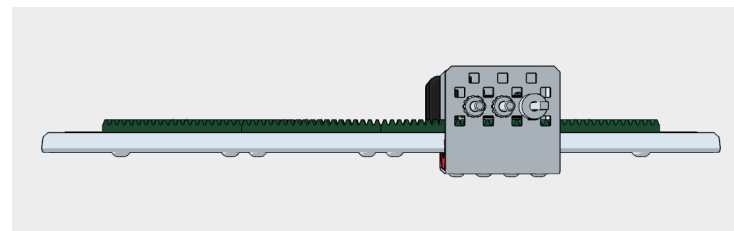
- (1x) 5x15 Steel Plate
- (6x) Flat Bearing
- (4x) #8-32 x 1.000" Star Drive Screw
- (2x) 36T High Strength Gear
- (2x) 84T High Strength Gear
- (6x) Rubber Shaft Collar
- (2x) Hand Crank
- (6x) #8-32 Keps Nut
- (4x) #8 Click on Spacer 0.250"
- (2x) #8-32 x 1/2" Star Drive Screw
- (3x) 3" Drive Shaft
- (4x) High Strength Shaft Adapter



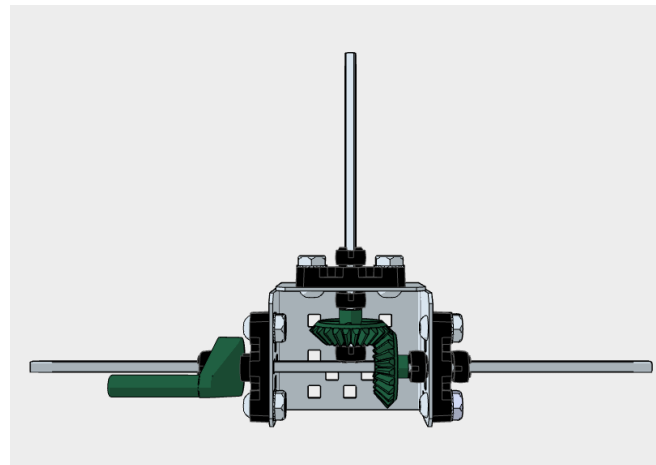
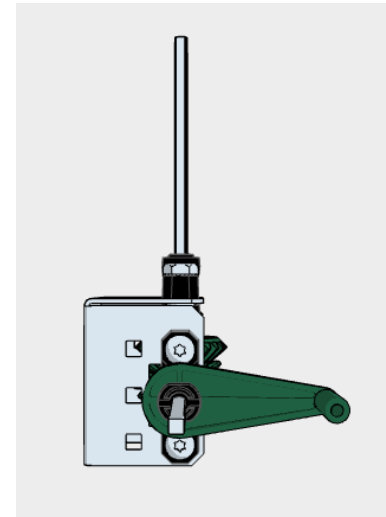
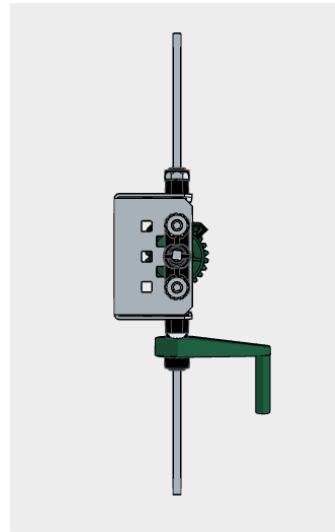
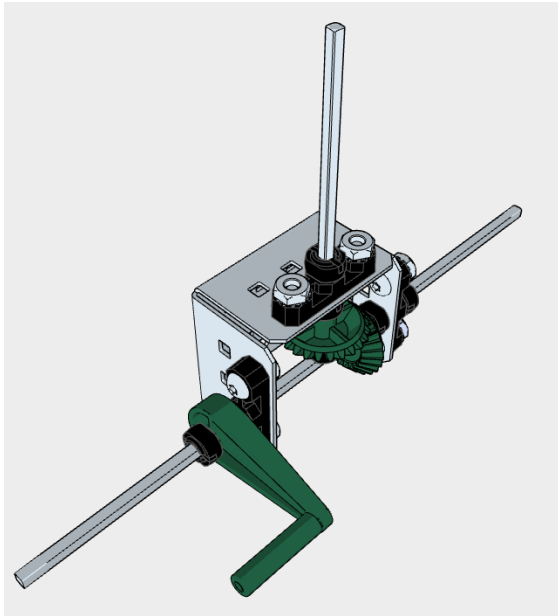
Linear Gear Train



- (1x) 12" Long Linear Slide Track
- (6x) Rack Gearbox Bracket
- (1x) Outer Acetal Slide Truck
- (12x) #8-32 x 1/4" Star Drive Screw
- (4x) Rack Gear
- (8x) #8-32 Nylock Nut
- (1x) 12T Gear
- (2x) Flat Bearing
- (1x) V5 Smart Motor (11W)
- (4x) #8-32 x 1.000" Star Drive Screw
- (1x) #8 Click on Spacer 0.125"
- (2x) Shaft Collar
- (2x) #8-32 Keps Nut
- (1x) 3" Drive Shaft



Bevel Gear Train



- (1x) 4" Drive Shaft
- (6x) Rubber Shaft Collar
- (1x) #8 Click on Spacer 0.125"
- (1x) 8" Drive Shaft
- (1x) Hand Crank
- (1x) Bevel Gearbox Bracket
- (6x) #8-32 x 3/8" Star Drive Screw
- (3x) Flat Bearing
- (6x) #8-32 Keps Nut
- (2x) 24T Bevel Gear