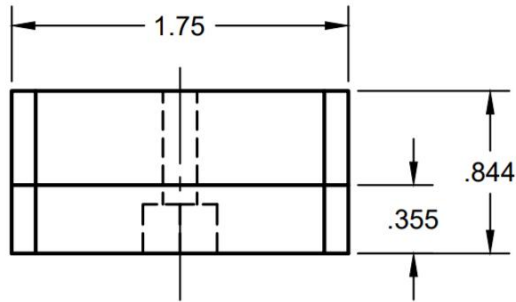
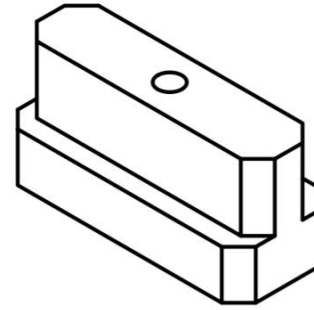
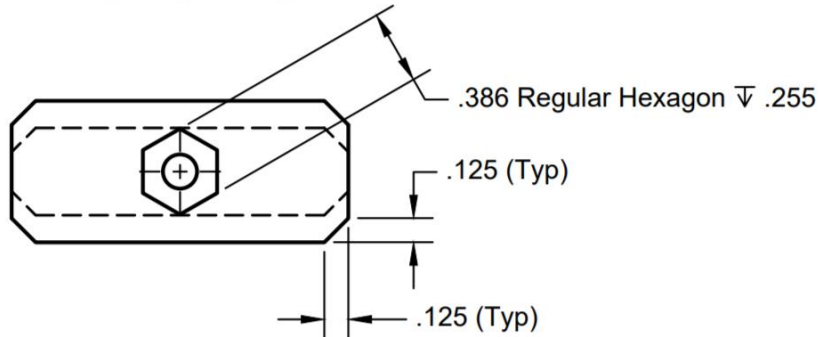


Top View



Front View



Bottom View

Notes:

1. All dimensions in inches
2. Depth of hole indicated with ∇
3. Dimension typical in multiple places indicated with (Typ)



PROJECT
Trammel Toy

APPROVED

CHECKED

DRAWN Student

2/20/2020

TITLE
Screw Slide Block

SCALE 1:4

ANSI IN

SHEET 1/1

SIZE

A

REV